



S.G. INTERNATIONAL GROUP H.K. LIMITED

SHENZHEN SHUGUANG DIGITAL TECHNOLOGY CO., LTD.

Add: Gold industrial park, NanLing village, Buji Town, Shenzhen, China

Tel: (86)0755-25387626

84701880

84701680

Fax : (86)0755-84701680

[Http://www.sgcg-group.com](http://www.sgcg-group.com)

E-mail: sgled@vip.163.com

MSN: sgled@hotmail.com

Yahoo Messenger: sgled_usa@yahoo.com

➤ GSM Fix Terminal GSM 900MHz-1800MHz G8504



Product Special Features

- GSM Voice Communication, Choose any position on users' own to enhance signal intensity via short or long Tel-line
- Provide feedback signal for payphone, able to connect Toll Set for payment count
- Compatible with GSM 900MHz-1800MHz
- Able to connect regular fixed telephone or cordless phone, easy installation
- Support Mini-PABX to connect with GSM
- External backup batteries supporting 4 hours talking and 24 hours stand-b ,easy installation, able to connect power supply for intelligently charging
- Lock SIM card in software and hardware.
- Support internet function (to connect with computer)
- Prefix IP number auto-dialing
- Inner antenna with exquisite appearance
- Supporting calls forbiddance for incoming and dialing
- The other regular phone's functions, such as "call records" can be met by connecting to a regular phone.
- New module with good quality and steady performance.



S.G. INTERNATIONAL GROUP H.K. LIMITED

SHENZHEN SHUGUANG DIGITAL TECHNOLOGY CO., LTD.

Add: Gold industrial park, NanLing village, Buji Town, Shenzhen, China

Tel: (86)0755-25387626

84701880

84701680

Fax : (86)0755-84701680

[Http://www.sgcg-group.com](http://www.sgcg-group.com)

E-mail: sgled@vip.163.com

MSN: sgled@hotmail.com

Yahoo Messenger: sgled_usa@yahoo.com

➤ GSM Fix Terminal GSM 900MHz-1800MHz G100PT



G100PT

Description

G100PT is a FWT (Fixed Wireless Terminal) designed to provide better wireless connectivity between POTS (plain old telephone set) and existing 900M/1800MHz GSM network with high sensitivity to receive signal and large transmitting power to expand extensively the effective coverage of GSM service. It can be used not only in networks where wired line telephones are difficult to deploy, but also in urban areas where operators are interested in offering new services to customers in order to increase market penetration.

Main features

- Simple to install / easy to maintain
- Easy access to GSM networks
- PSTN line supported(Optional)
- PSTN and GSM routing auto switching
- Provide optimized circuit directly connecting PABX for extensions
- Provide polarity reversal signal for public call metering
- Strong signal by using high gain antenna
- No noise, Echo cancelled circuit
- Suit all kinds of weather & environment
- Free voltage power supply available
- Transmit range up to 20km in plain by outdoor antenna

Available Models

- GSM 900MHz voice only
- GSM 1800MHz voice only
- GSM dual band 900MHz/1800MHz voice only
- PSTN line(Optional)

Simple Installation

G100PT fixed wireless terminal is easy to be installed by user DIY.

Just go through the following steps:

1. Insert a GSM SIM card.
2. Connect the adapter with AC power plug.
3. Connect the antenna with G100PT.
4. Turn on the power switch of G100PT.



S.G. INTERNATIONAL GROUP H.K. LIMITED

SHENZHEN SHUGUANG DIGITAL TECHNOLOGY CO., LTD.

Add: Gold industrial park, NanLing village, Buji Town, Shenzhen, China

Tel: (86)0755-25387626

84701880

84701680

Fax : (86)0755-84701680

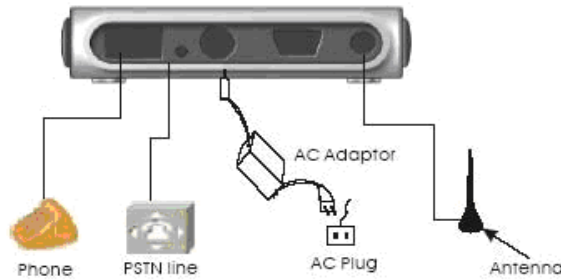
[Http://www.sgcg-group.com](http://www.sgcg-group.com)

E-mail: sgled@vip.163.com

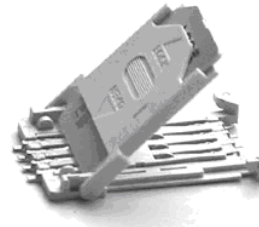
MSN: sgled@hotmail.com

Yahoo Messenger: sgled_usa@yahoo.com

➤ GSM Fix Terminal GSM 900MHz-1800MHz G100PT



Connection sample



SIM card holder



Bottom and side view

Specifications

1. Air Interface Standard: GSM 900/1800 MHz Phase 2+
2. Frequency Ranges:

Transmit	Receive	
GSM 900	890~915MHz	935~960MHz
GSM 1800	1710~1785MHz	1805~1880MHz
3. Channel Space: 200KHz
4. Vocoder: FR+EFR
5. CLIP
6. Environment Requirements:

Operating Temperature : 0 °C to +50 °C

Relative humidity: 10% to 95%
7. LED Indicators:

Power , Network , Signal, In-use, Warn
8. Connectors: 1 SMA antenna connector (TNC optional)
- 1 Power connector
- 2 RJ11 connectors for telephone sets
9. Antenna:

Gain: 2.0dB di-pole (omni directional)

2.5dB (omni directional) with 3 M (11.8US in.) wire (optional)
10. Power Supply:

6.5VDC AC/DC power adapter



S.G. INTERNATIONAL GROUP H.K. LIMITED

SHENZHEN SHUGUANG DIGITAL TECHNOLOGY CO., LTD.

Add: Gold industrial park, NanLing village, Buji Town, Shenzhen, China

Tel: (86)0755-25387626

84701880

84701680

Fax : (86)0755-84701680

[Http://www.sgcg-group.com](http://www.sgcg-group.com)

E-mail: sgled@vip.163.com

MSN: sgled@hotmail.com

Yahoo Messenger: sgled_usa@yahoo.com

➤ GSM Fix Terminal GSM 900MHz-1800MHz G6-J



G6-J

Basic Functions

- 1.Supporting GSM 900/1800MHz. or 850/1900MHz
- 2.Could make local call, mobile call, national and international calls.
- 3.Pre-set area code, IP number, Special service number, and any other head number.
- 4.Privilege setting for international distant and local call-in and call-out.
- 5.PIN code protection for SIM card.
- 6.Supporting SIM lock , network lock and cell ID Lock
- 7.Indicator for signal, power and 'in-use' function.
- 8.Supporting reverse Polarity function
- 9.With bank-up battery storage.
- 10.USB port to connect PC .
- 11.Two RJ11 ports can connect two extension at the same time ,supporting caller ID .
- 12.Large LCD display of the operator information, caller ID ,signal strength, battery status, time and date.
- 13.GPRS (optional).
- 14.Supporting both GSM and PSTN (Optional)
- 15.Using industrial module

Characteristics

- 1.Simple operation as normal fixed telephone.
- 2.Rapid network searching, quick response for dialing, high voice resolution quality and harmless low radiation.
- 3.Adaptive to wide range of voltage with low power consumption.
- 4.Convenient installation on the desk or on the wall.



S.G. INTERNATIONAL GROUP H.K. LIMITED

SHENZHEN SHUGUANG DIGITAL TECHNOLOGY CO., LTD.

Add: Gold industrial park, NanLing village, Buji Town, Shenzhen, China

Tel: (86)0755-25387626

84701880

84701680

Fax : (86)0755-84701680

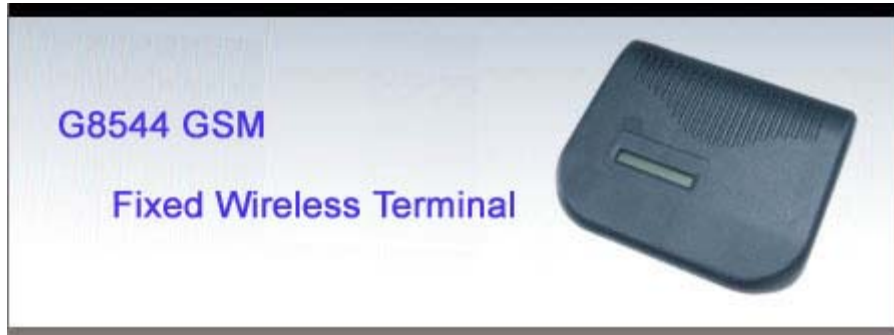
[Http://www.sgcg-group.com](http://www.sgcg-group.com)

E-mail: sgled@vip.163.com

MSN: sgled@hotmail.com

Yahoo Messenger: sgled_usa@yahoo.com

➤ GSM Fix Terminal 900 / 1800MHz, 850 / 1900MHz G8544



Product Special Features

- Frequency: 900 / 1800MHz, 850 / 1900MHz
- External backup batteries which are easy to install
- Displays signal strength
- Supports Mini-PABX to connect with GSM
- Provides feedback signal for payphones
- Supports SIM card lock
- With Internet function to connect with computer
- With incoming and dialing call forbiddance
- Internal or external antenna
- Uses professional wireless module



S.G. INTERNATIONAL GROUP H.K. LIMITED

SHENZHEN SHUGUANG DIGITAL TECHNOLOGY CO., LTD.

Add: Gold industrial park, NanLing village, Buji Town, Shenzhen, China

Tel: (86)0755-25387626

84701880

84701680

Fax : (86)0755-84701680

[Http://www.sgcg-group.com](http://www.sgcg-group.com)

E-mail: sgled@vip.163.com

MSN: sgled@hotmail.com

Yahoo Messenger: sgled_usa@yahoo.com

➤ GSM Fix Terminal With G3 FAX G6-F



1.General description

G6-F is an ideal Fixed Wireless Terminal (FWT) with FAX based on GSM technology.

Supports voice, FAX G3 and data service, and can be connected to telephone, ordinary fax machine, and computer.

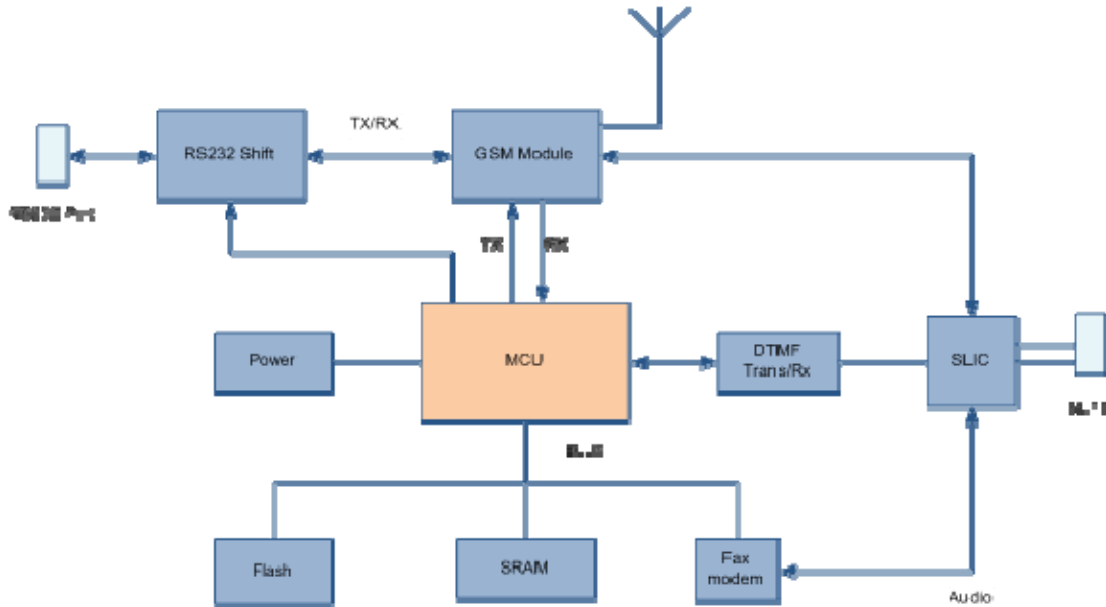
Can be connected to the PBX as a wireless trunk.

Support CLID, Call Restriction, Call Forward, Call waiting and Auto PIN entry for SIM card.

Supports 12/16 kHz pulse or reverse polarity signal for billing machine which is widely used in payphone.

Via a RS232 cable, TFG6-F can be regarded as a standard modem, Internet Access, E-mail, Asynchronous Data Service and PC Fax are available.

2. Logic Schematic





S.G. INTERNATIONAL GROUP H.K. LIMITED

SHENZHEN SHUGUANG DIGITAL TECHNOLOGY CO., LTD.

Add: Gold industrial park, NanLing village, Buji Town, Shenzhen, China

Tel: (86)0755-25387626

84701880

84701680

Fax : (86)0755-84701680

[Http://www.sgcg-group.com](http://www.sgcg-group.com)

E-mail: sgled@vip.163.com

MSN: sgled@hotmail.com

Yahoo Messenger: sgled_usa@yahoo.com

➤ GSM Fix Terminal With G3 FAX G6-F

3.Specification:

3.1 Air Interface:

Standard: DUAL BAND 900/1800MHZ, EGSM850 /1900MHZ (Phase 2+)

Transmission power:

EGSM850 2W

GSM1900 1W

Voice Codec:

Full Rate: (ETS06.10);

Enhanced Full Rate: (ETS06.50/06.60/06.80);

Half Rate: (ETS06.20)

3.2 Power specification

Input: 90-270VAC, 48 ~62HZ

Output: 12VDC 1.2A max

3.3 Back-up battery:

Ni -MH: 7.2V 1200mAH

Normal (stand-by): > 10 hours

Talk time: > 3 hours

3.4 Environment:

Operating temperature -10°C~55°C

Operating humidity 0%~95%

3.5 Subscriber interface specification

Line voltage: 48V± 6V

Line current: 25mA~10mA

Ring driving: 5.0 REN

Ring voltage: 70Vrms±15Vrms (25Hz, 1REN)

3.6 Dimension & Weight

420*220*80 (package, unit in mm)

1100g (include the antenna, battery, power adaptor.)

3.7 Antenna

Gain: 2.5dBi

Wave ratio: ≤1.5

Input resistance: 50 ohm.

3.8 Visual & Audio Indications

Low Battery

Batt changing

AC operation

Batt. Operation

Signal strength indication

3.9 external interface:

The power supply interface: POWER/ DC12V

Outside phone interface: RJ-11(PHONE)

Outside fax interface: RJ-11(FAX)

The antenna interface: SMA(Male)

3V SIM interface.

3.10The data Service interface: SERIAL PORT



S.G. INTERNATIONAL GROUP H.K. LIMITED

SHENZHEN SHUGUANG DIGITAL TECHNOLOGY CO., LTD.

Add: Gold industrial park, NanLing village, Buji Town, Shenzhen, China

Tel: (86)0755-25387626

84701880

84701680

Fax : (86)0755-84701680

[Http://www.sgcg-group.com](http://www.sgcg-group.com)

E-mail: sgled@vip.163.com

MSN: sgled@hotmail.com

Yahoo Messenger: sgled_usa@yahoo.com

➤ GSM Fix Terminal With G3 FAX G6-F

4. Basic function

- Equip with independent wireless module to make more steady and reliable.
- Support to send reverse polarity and 12K/16K Hz pulse signal.
- Support LED indicating work status as network, wireless module and the line.
- Multi-mode to send the dialed number: press "send" key, programmable timeout
- Support FAX G3 (analog)
- Support low speed data service
- Support to generate caller ID signal (DTMF/FSK).
- Support to lock SIM/UIM card. Enable/disable to program PIN code by DTMF via connected telephone.
- Support to lock the terminal
- Support to lock specified network.
- Support to program prefix code with the number.
- Support to enable/disable IDD, DDD, or local call.
- Compatibility to Billing Meter.
- Connect to the standard telephone.
- Operation with wide voltage and low power consumption
- Using SIEMENS module

5. Highlights

- Support internet surfing via GPRS
- Support CSD
- Enable/disable to program terminal by DTMF via telephone
- Remote parameter update (optional)



S.G. INTERNATIONAL GROUP H.K. LIMITED

SHENZHEN SHUGUANG DIGITAL TECHNOLOGY CO., LTD.

Add: Gold industrial park, NanLing village, Buji Town, Shenzhen, China

Tel: (86)0755-25387626

84701880

84701680

Fax :(86)0755-84701680

[Http://www.sgcg-group.com](http://www.sgcg-group.com)

E-mail: sgled@vip.163.com

MSN: sgled@hotmail.com

Yahoo Messenger: sgled_usa@yahoo.com

➤ GSM Fix Terminal



SG1000GS

Basic Function

- 1.Suitable for GSM850MHZ or 900MHZ or 1800MHZ or 1900MHZ, simulate an ordinary telephone wire, connecting the ordinary telephone, number of SIM card that its number is offered by mobile network firms, realizing the local call.domestic and international call.
- 2.Wireless and wired switch function.
- 3.Can connect charging devices, support precise charging function.
- 4.Support call-in numbers to display, operating like the ordinary desk-top telephone.
- 5.Program by ordinary telephone.
- 6.Pre-set the local code and IP special service number, add the IP number automatically while dialing the long distance call.
- 7.Set all kinds of authorities about International、 domestic and local incoming calls.
- 8.Pre-set PIN yard protected function, make the terminal and SIM card one-to-one correspondence.
- 9.Connect PBX by optimize the circuit directly, can connect a lot of inner lines.
- 10.Display the power and signal function.
- 11.Hold the external storage battery to charge while losing electrical power.

Main performance

- 1.High clear pronunciation.
- 2.Search for the network apace , dial rapidly , strengthen the aerial, high sensitivity, no radiation to the human body.
- 3.Discern the local call and long-distance call automatically while dialing.
- 4.The wide voltage running , low power dissipation.
- 5.RS232 and RJ-11 interfaces, good match performance with equipments, connect the standard charging devices and the concentration charging rate management devices, realize the common public call charging, link the Mini-PBX to use conveniently in the multi-user group, meet the number written into and set up the demand with other data .
- 6.Adopt the desk-top or the hang type to install.

Specifications

- 1.Protocol: GSM Mobile Network
- 2.Working Frequency:GSM850MHZ or 900MHZ or 1800MHZ or 1900MHZ
- 3.Size: 185mm×135mm×22mm
- 4.Weight: 400g
- 5.Color: White、 Blue、 Red
- 6.Environment Temperature: -10℃ ~ +40℃
- 7.Environment Noise: <60db
- 8.AC Input: DC10V—20V
- 9.Standby Time: 24 Hours*
- 10.Calling Time: 120 Minutes*
- 11.Interface: RS232 Support



S.G. INTERNATIONAL GROUP H.K. LIMITED

SHENZHEN SHUGUANG DIGITAL TECHNOLOGY CO., LTD.

Add: Gold industrial park, NanLing village, Buji Town, Shenzhen, China

Tel: (86)0755-25387626

84701880

84701680

Fax : (86)0755-84701680

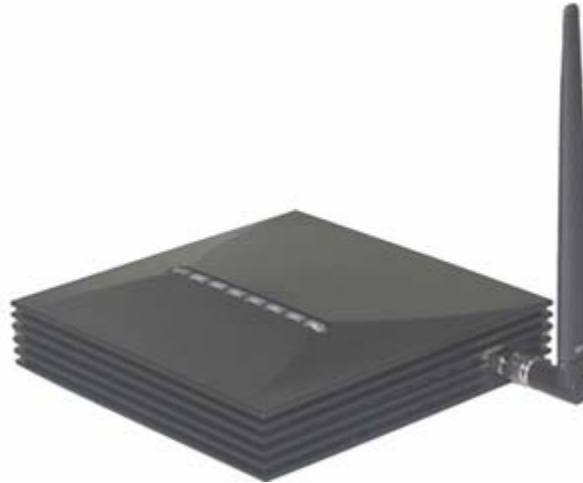
[Http://www.sgcg-group.com](http://www.sgcg-group.com)

E-mail: sgled@vip.163.com

MSN: sgled@hotmail.com

Yahoo Messenger: sgled_usa@yahoo.com

➤ GSM/CDMA/PHS Fixed Wireless VOIP Gateway



SG9000

Basic Functions

1. Supporting all frequencies of GSM/CDMA
2. Automatically switch call from GSM, PSTN and INTERNET.
3. Remoting user can free call anybody passing two routes among GSM, PSTN and INTERNET in gateway(optional).
4. VOIP applying functions: it can support call keeping, telephonist transfer, call waiting, unread SMS hint, avoidance of disturbance, three party service, different operators, hotline, alarm and call forwarding when busy line, no answering of the call, no condition.
5. Incoming call display.
6. Billing support.
7. Pre-set area code, IP number, Special service number and any other head numbers.
8. Privilege setting for international distant and local call-in and call-out.
9. Function of locking the SIM/RUIM card, terminal, network and district.
10. Supporting connecting PBX for group users.
11. Indicator for signal, power and busy line function.
12. VOIP can support: AGS, G165, RFC2833, FSK dialling directly, G711 fax, TOS, NAT dialling directly.
13. With battery storage (optional).
- 14 Supporting PC fax or G3 fax (optional).
15. Internet connection(optional).
16. Payment Management Function(optional).

Characteristics

1. Simple operation as normal fixed telephone.
2. Rapid network searching, quick response for dialing, high voice resolution quality and harmless low radiation.
3. Automatic identification of domestic, long and VOIP calls from call-out calls.
4. Support all the functions of ASTERISK. It can support automatic downloading of configuration, automatic detecting and updating the newest version.
5. Supporting voice encoding and decoding of G.711, G.723, G.729 as well as protocol of SIP, TCP/IP, RTP, T.38, UDP, DHCP, DNS, FTP, RTP, PPPOE

© 1997-2007, S.G. INTERNATIONAL GROUP H.K. LTD. All rights reserved.

Buji Town, Shenzhen 518123, China

Tel: +86-755-25387626 , 84701880 , Fax: +86-755-84701680

Sales email: sgled@vip.163.com

ISO 9001:2000



Cert. #801532